

## Specification sheet LX 1110

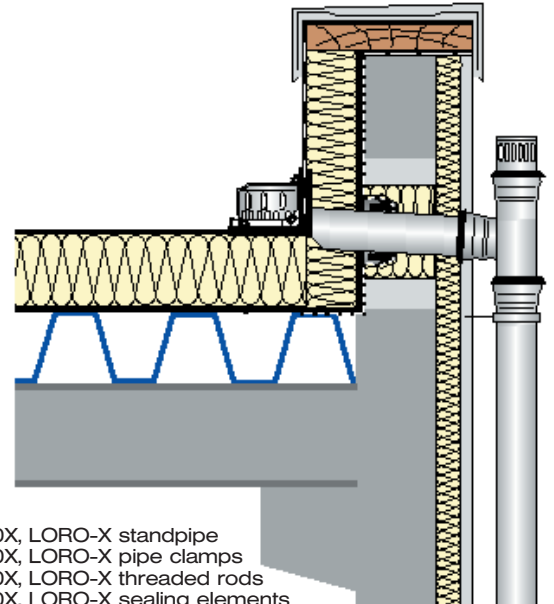
### Parapet drainage system Series 43 Parapet direct without penetrating the roof

#### Main drainage

Gravity flow

Silent Power

<b>Discharge rate:</b>	<b>1,7 l/sec</b>
<b>Water height:</b>	<b>35 mm</b>
<b>Roof penetration:</b>	<b>0 mm</b>
<b>Diameter:</b>	<b>DN 100</b>
<b>LX-Number:</b>	<b>LX 1110</b>
<b>Weir height:</b>	<b>0 mm</b>
<b>Drain:</b>	<b>ventilated</b>
<b>Downpipe:</b>	<b>ventilated</b>
<b>Downpipe height:</b>	<b>variable</b>
<b>Drainage:</b>	<b>In sewer</b>
<b>Flange form:</b>	<b>Clamping flange 90°</b>

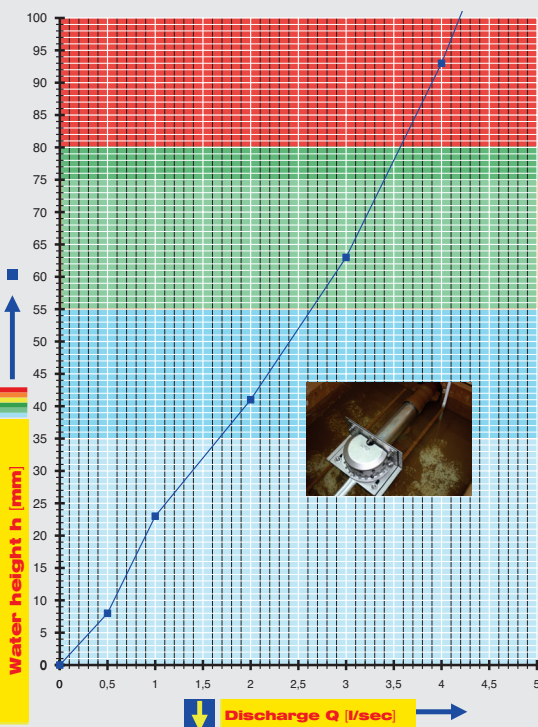


#### LX 1110 Piece list

- 1 x Art.-No. 01333.100X, scupper drain
- 1 x Art.-No. 13236.100X, LORO-X sliding flange
- 1 x Art.-No. 00200.DD0X, LORO-branch
- 1 x Art.-No. 13217.100X, vent piece
- 1 x Art.-No. 01001.100X, LORO-X pipe with one socket

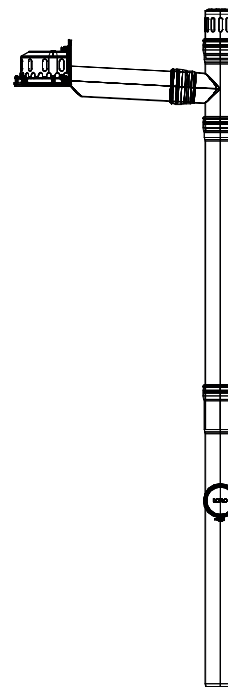
- 1 x Art.-Nr. 05510.100X, LORO-X standpipe
- 3 x Art.-Nr. 00975.100X, LORO-X pipe clamps
- 3 x Art.-Nr. 09604.200X, LORO-X threaded rods
- 4 x Art.-Nr. 00911.100X, LORO-X sealing elements
- 1 x Art.-Nr. 00986.000X, LORO-X lubricant

#### hQ - Head Discharge curve

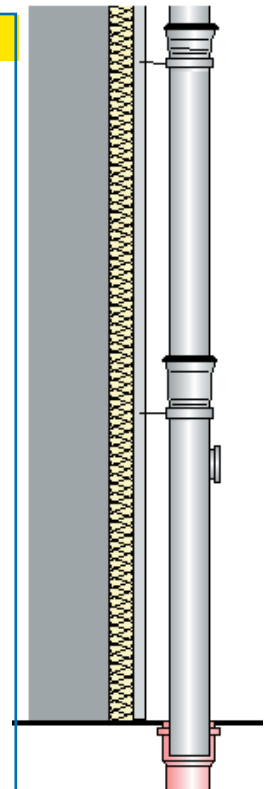


#### Systempower

#### CAD



#### Systemshape



Water height	mm	5	10	15	20	25	30	35	40	45	50	55	60	65	70	75
Discharge	l/sec		0,5	0,7	0,9	1,1	1,4	1,7	1,9	2,2	2,4	2,5	2,8	3,1	3,2	3,4
<b>Silent</b>																

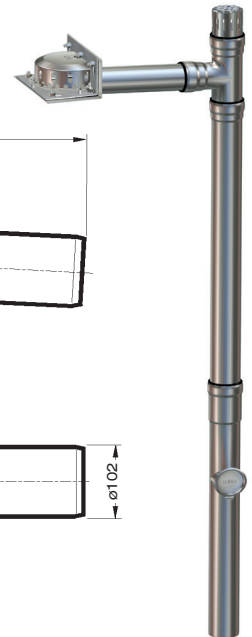
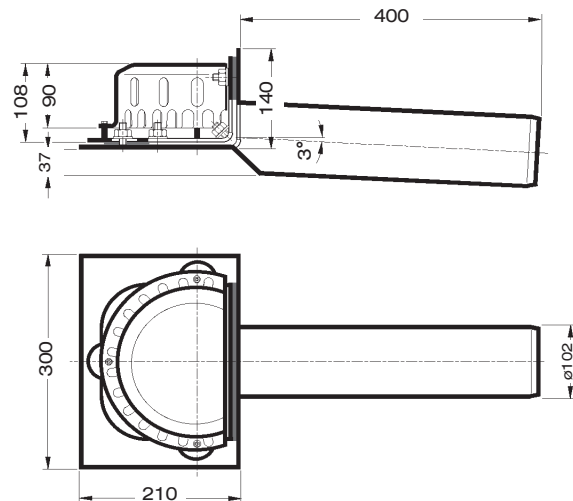
**LORO-X Parapet direct drain, without penetrating the roof**

**DN 100**

**LX1110-1X**

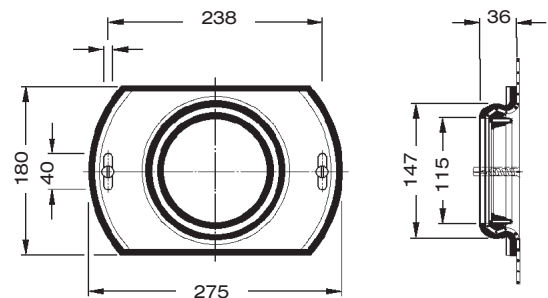
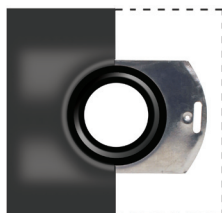
Drain article No. 01333.100X  
Weight: 5,7 kg

**with clamping flange 90°**  
for plastic roofing sheets



**LORO-X Sliding flanges**

with pre-installed connection sleeve for vapor barrier made of bituminous or plastic- roofing sheets (please indicate manufacturer and material of the sealing sheet to be attached), made of galvanized steel, including fastening screws  
Article no. 13236.100X  
Weight: 1,6 kg



**Heat tracing:** Lorowerk recommends to check all drains and pipes with regard to their frost-sensibility. Where necessary, these parts should be upgraded with heat tracing.